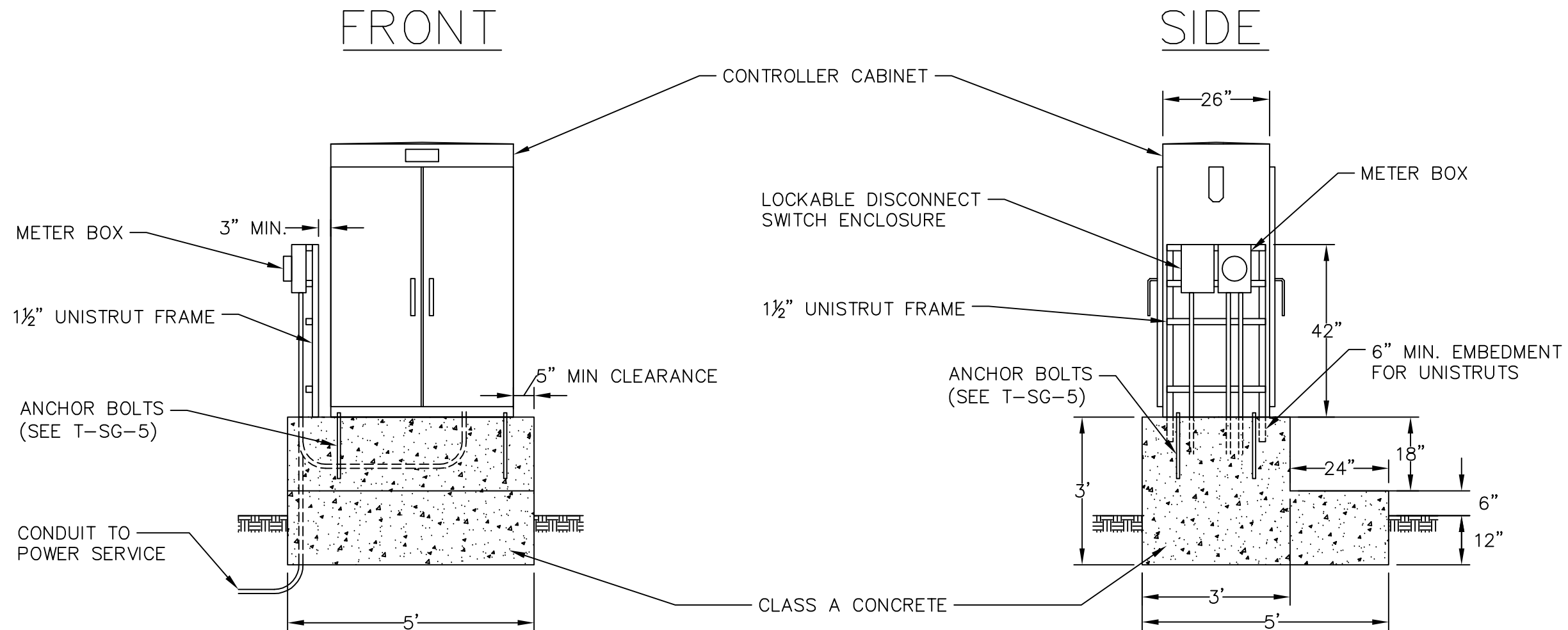
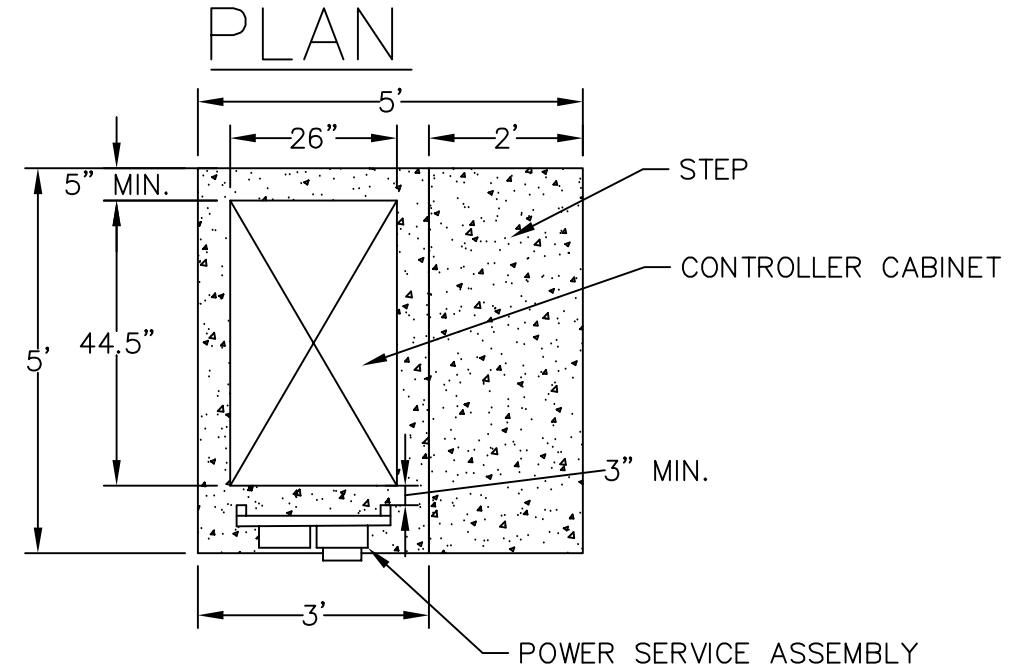


NOTES:

- 1) SEE VENDOR SHEETS FOR CABINET DIMENSIONS AND DETAILS.
- 2) FOR CABINET GROUNDING REQUIREMENTS, SEE TDOT STANDARD DETAIL T-SG-5.
- 3) SIGNAL CONDUIT NOT SHOWN. INCLUDE AS REQUIRED. SEE PLANS FOR REQUIRED AMOUNT AND SIZE OF CONDUIT.
- 4) ALL CONDUIT TO USE A MINIMUM 6" SWEEP RADIUS.
- 5) ALL CABINETS ARE REQUIRED TO HAVE A MINIMUM OF ONE SPARE 2" CONDUIT EXTENDED 24" BEYOND FOUNDATION AND BE CAPPED.



MARYVILLE-ALCOA CENTRAL  
TRAFFIC OPERATIONS

CONTROLLER  
CABINET DETAIL